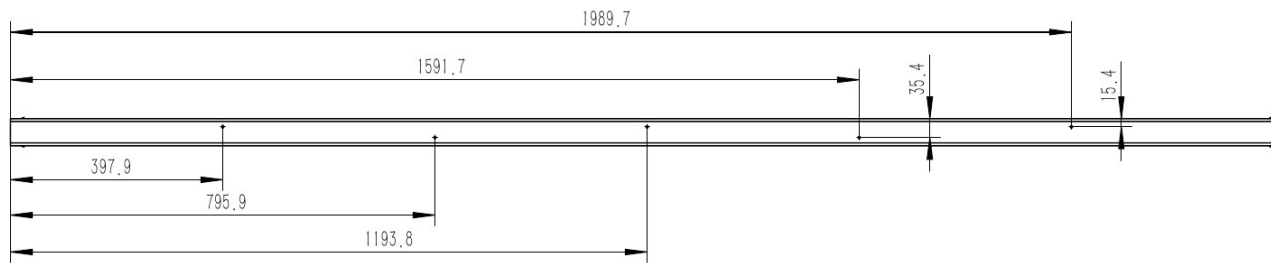
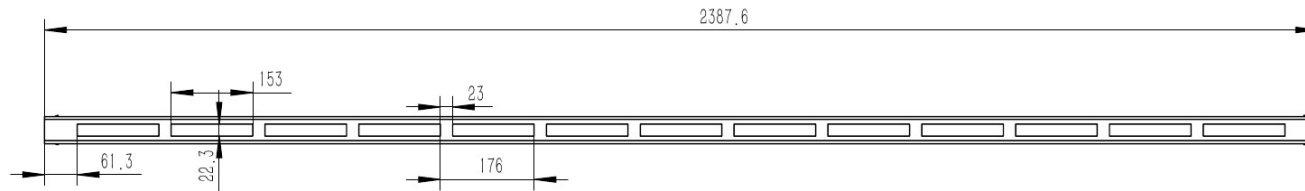
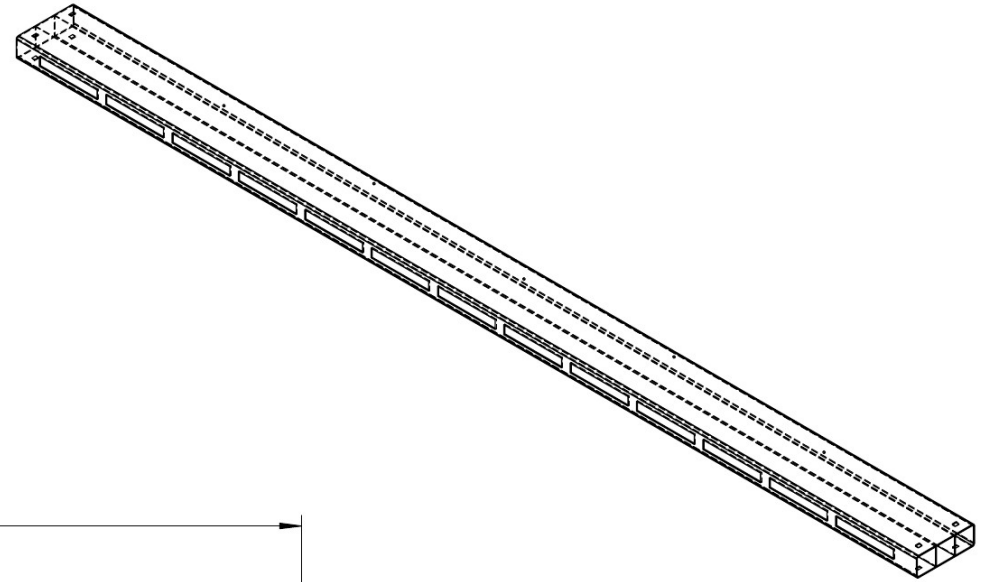


NO.	Item	Length(In)	Qty
1	2060 Bottom Rail	2387.6	1
2	6078 Picket	1571.3	13
3	2060 TOP Rail	2387.6	1
4	Aluminum Insert	2387	1

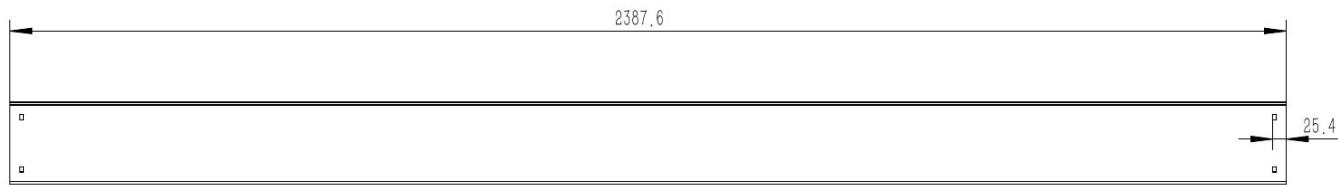
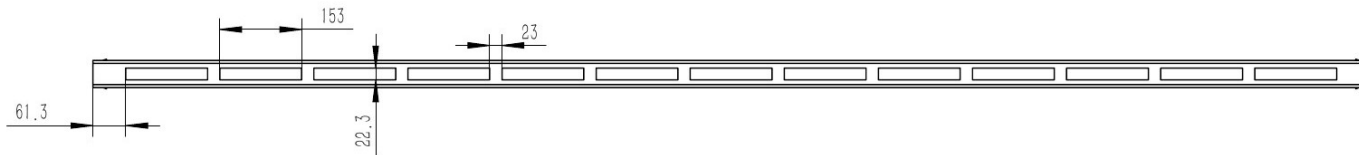
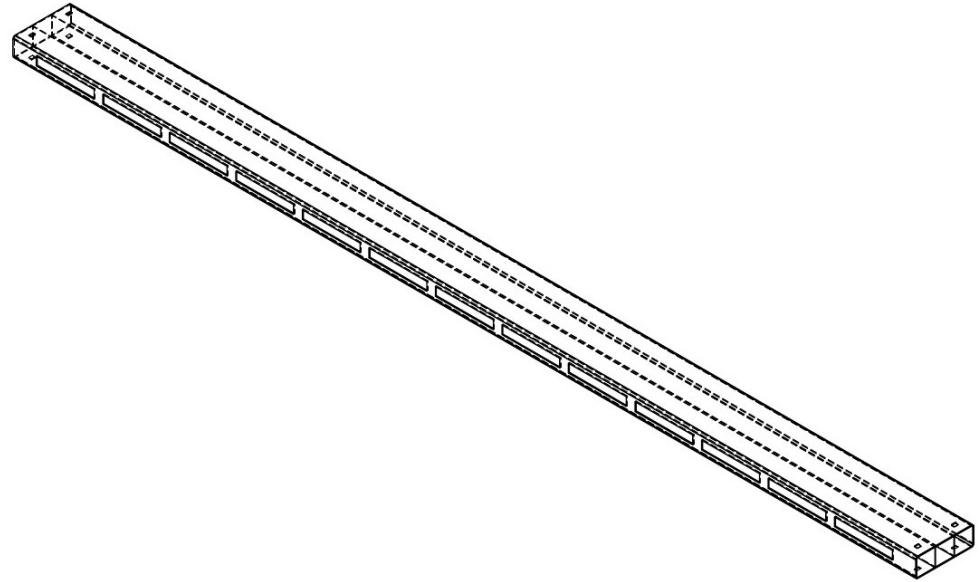


Design by		Product name	SMP70X94-6078-AF	
Check by		Drawing NO		
Approve by		Revision	A/0	Sheet 1 Of 6
Complete date				



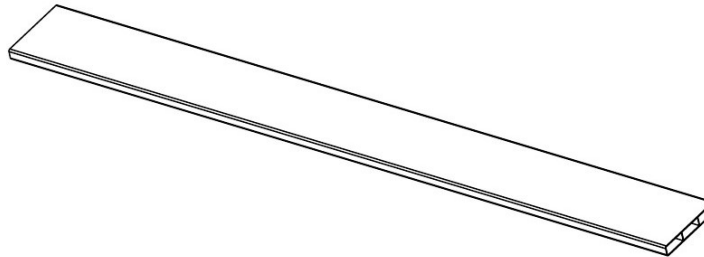
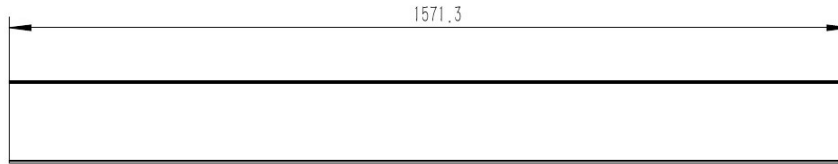
**Spread  
Eagles**

Design by		Product name	2060 Bottom Rail	
Check by		Drawing NO		
Approve by		Revision	A/0	Sheet 2 Of 6
Complete date				



**Spread  
Eagles**

Design by		Product name	2060 TOP Rail	
Check by		Drawing NO		
Approve by		Revision	A/0	Sheet 3 Of 6
Complete date				



**Spread  
Eagles**

Design by  
Check by  
Approve by  
Complete date

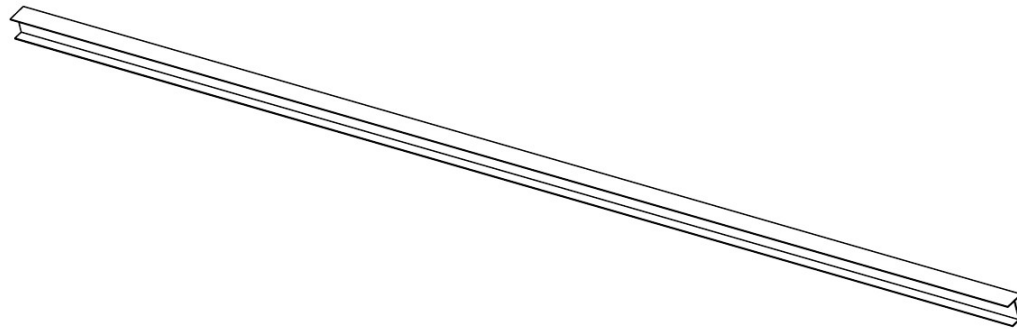
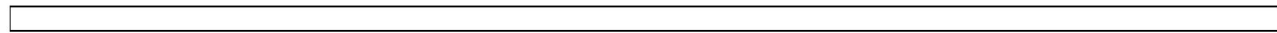
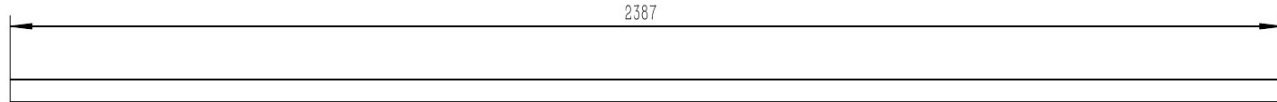
Product name  
Drawing NO  
Revision

6078 Picket

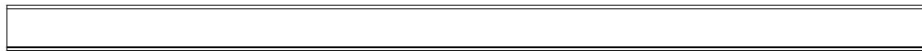
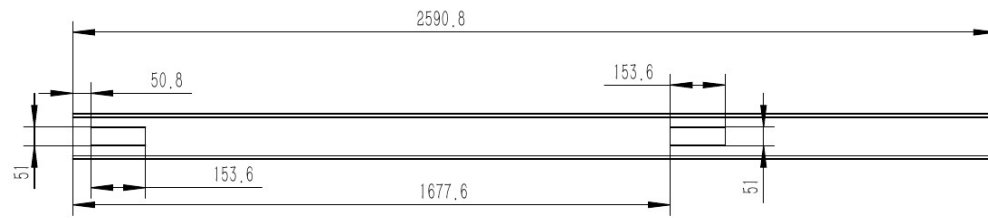
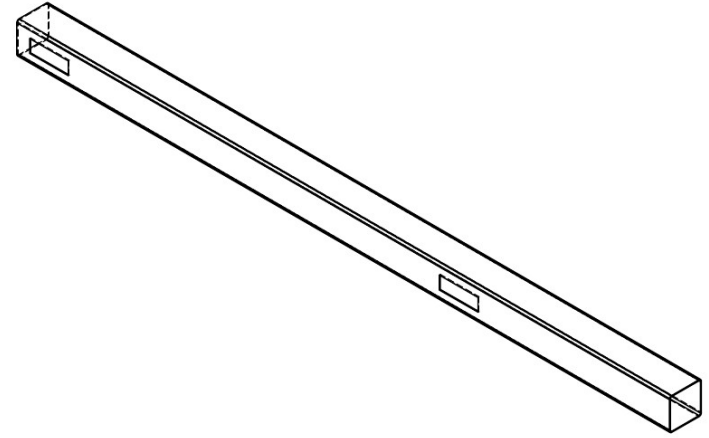
A/0

Sheet 4 Of 6

H



	Design by		Product name	Aluminum Insert	
	Check by				
	Approve by		Drawing NO		
	Complete date		Revision	A/0	Sheet 5 Of 6



**Spread  
Eagles**

Design by  
Check by  
Approve by  
Complete date

Product name  
Drawing NO  
Revision

A/0

Sheet 6 Of 6