

NO.	Item	Length	QTY
1	2060 TOP Rail	1930	1
2	2060 Bottom Rail	1930	1
3	AL Insert	1930	1
4	6078 TG	1547.26	12
5	TG U-Channle	1473.60	2
6	5050 Post	2590.80	2

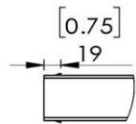
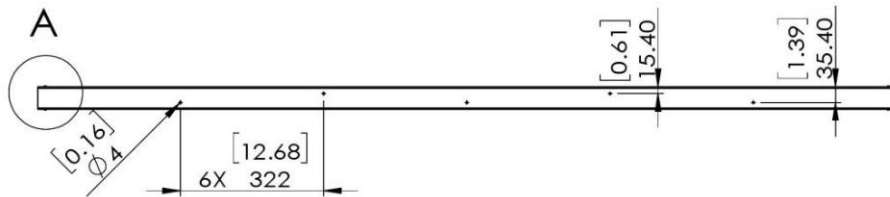
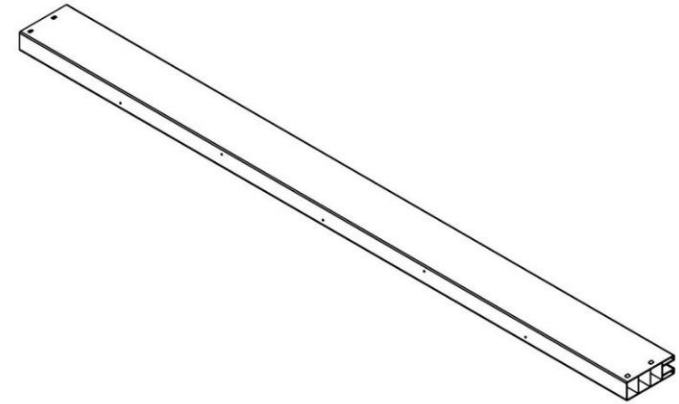
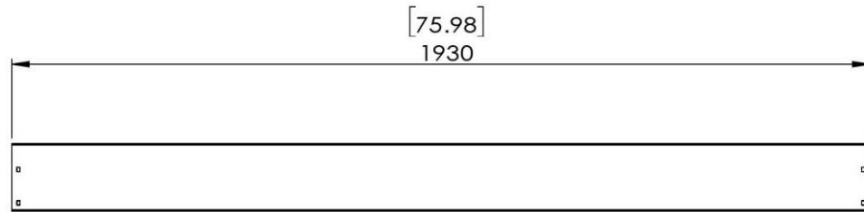
**Spread  
Eagles**

Design by  
Check by  
Approve by  
Complete date

Product name  
Drawing NO  
Revision

DP70x74.7-6078-AF

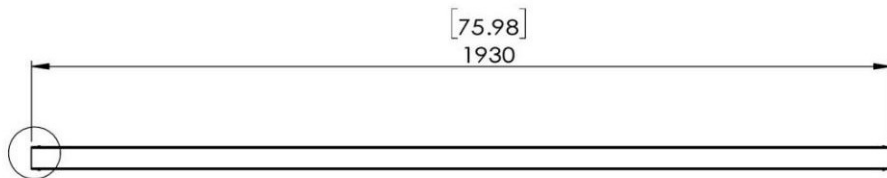
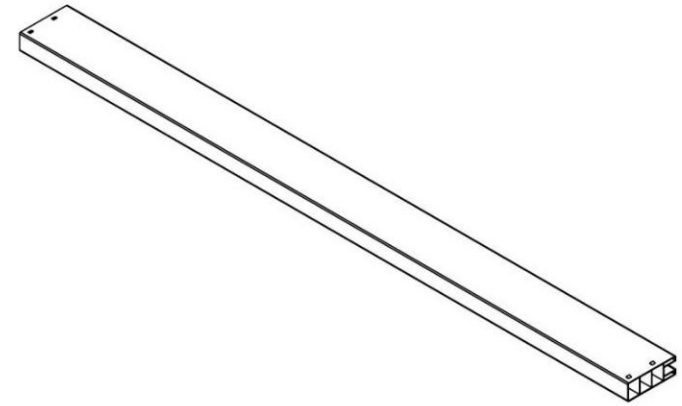
A/O Sheet 1 Of 7



比例 1 : 6

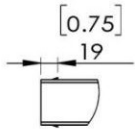
**Spread  
Eagles**

Design by		Product name	2060 Bottom Rail	
Check by		Drawing NO		
Approve by		Revision	A/0	Sheet 2 Of 7
Complete date				



01E

B

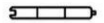
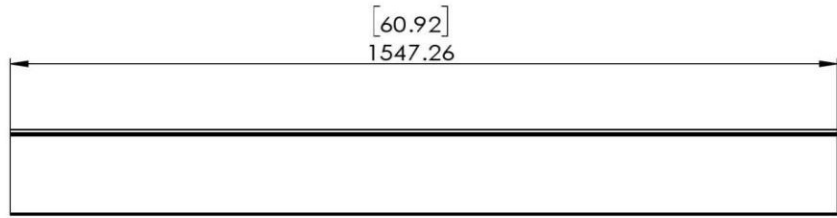
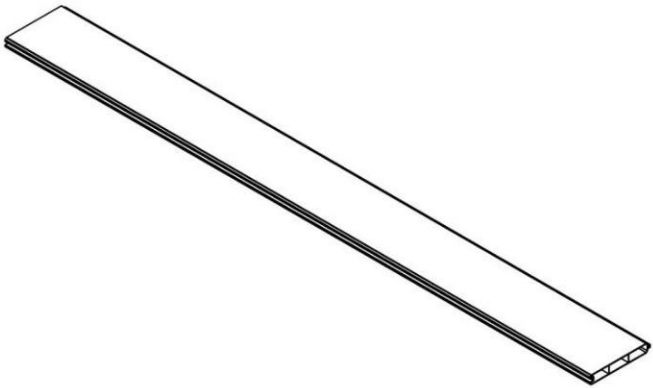


B

比例 1 : 6

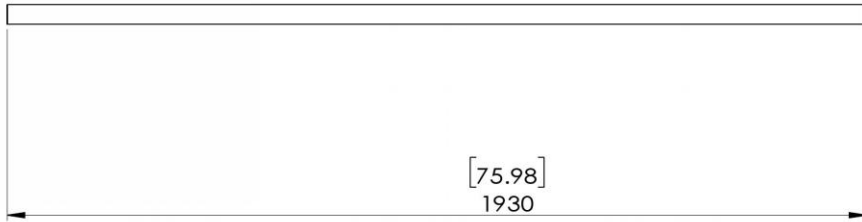
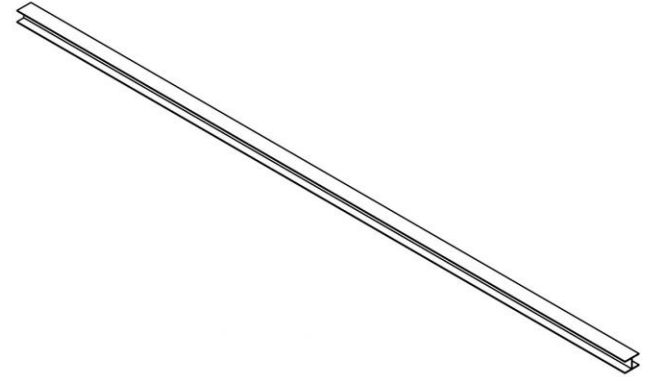
**Spread  
Eagles**

Design by		Product name	2060 TOP Rail	
Check by		Drawing NO		
Approve by		Revision	A/0	Sheet 3 Of 7
Complete date				



**Spread  
Eagles**

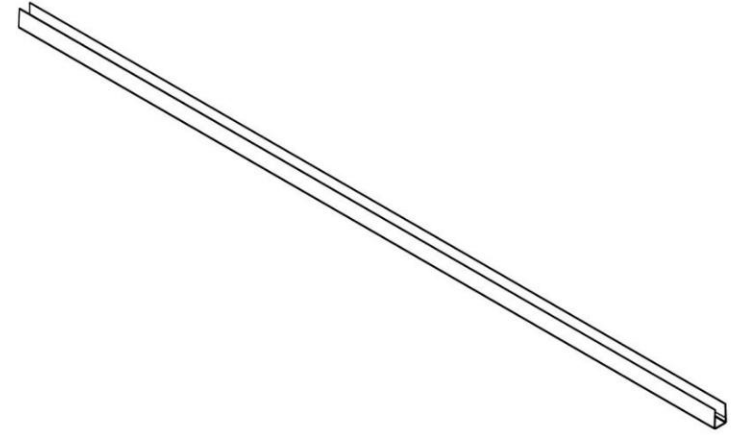
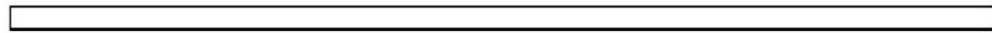
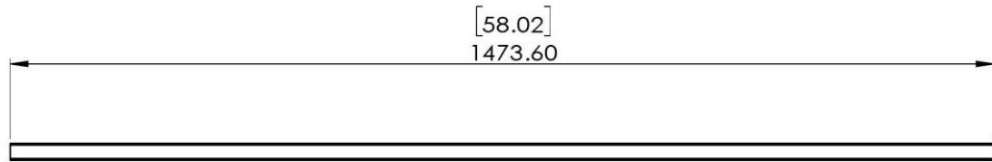
Design by		Product name	6078 TG	
Check by		Drawing NO		
Approve by		Revision	A/0	Sheet 4 Of 7
Complete date				



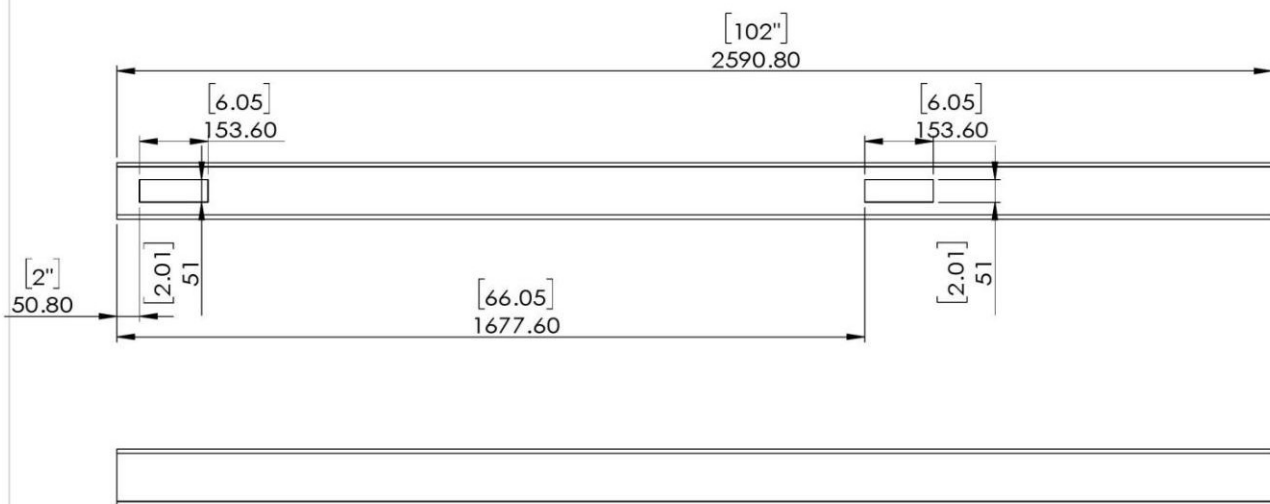
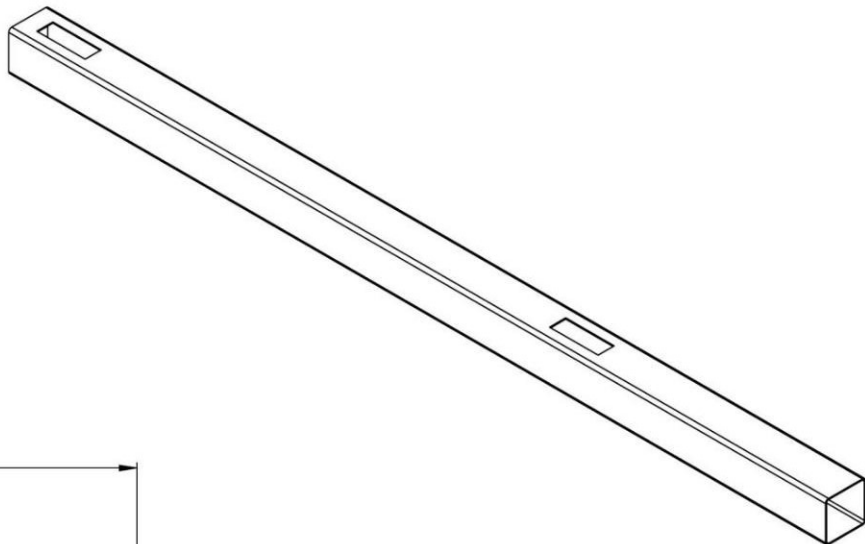
H



Design by		Product name	AL Insert	
Check by		Drawing NO		
Approve by		Revision	A/0	Sheet 5 Of 7
Complete date				



<b>Spread Eagles</b>	Design by		Product name	TG U-Channle	
	Check by		Drawing NO		
	Approve by		Revision	A/0	Sheet 6 Of 7
	Complete date				



Design by  
 Check by  
 Approve by  
 Complete date

Product name  
 Drawing NO  
 Revision

5050 Post