

**Spread  
Eagles**

Design by  
Check by  
Approve by  
Complete date

Product name

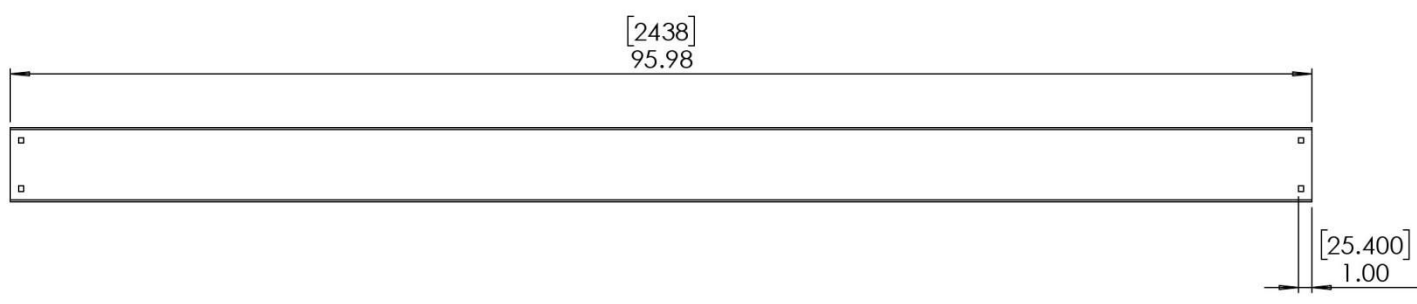
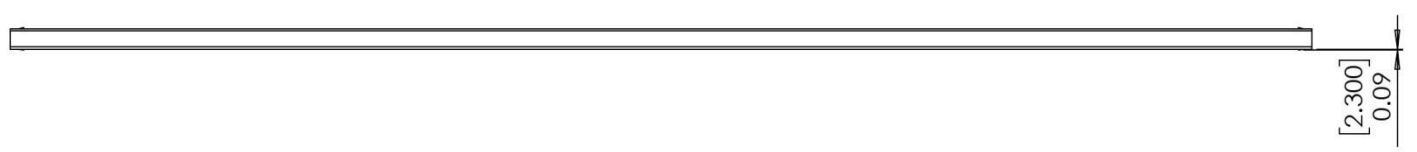
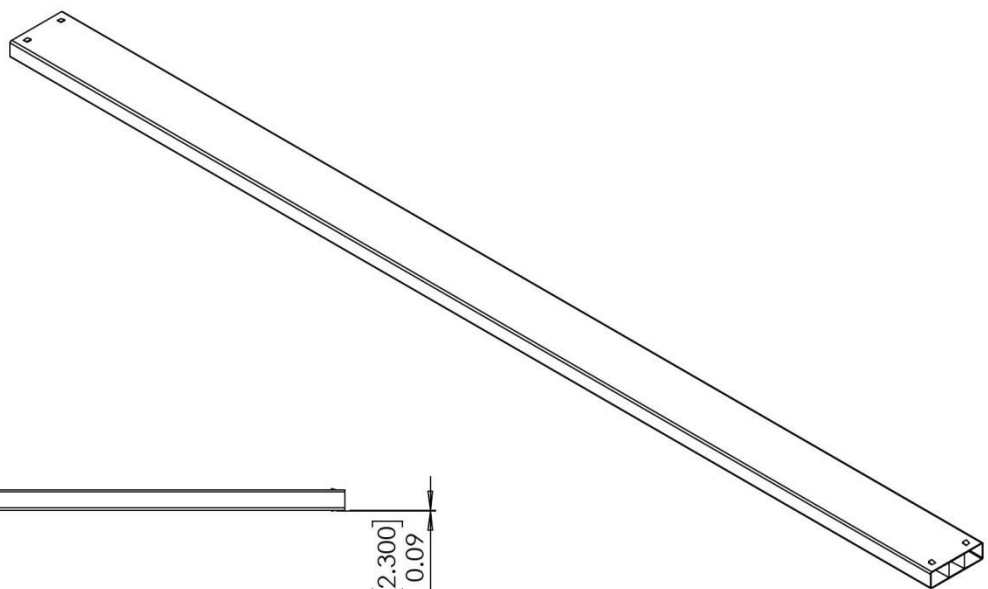
The horse bar

Drawing NO

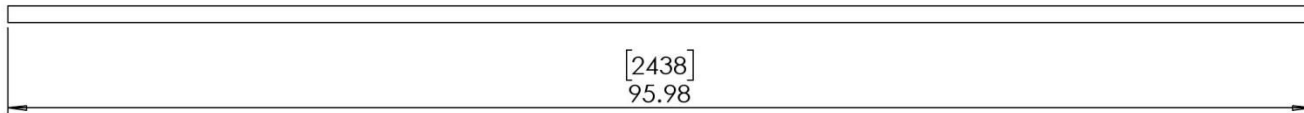
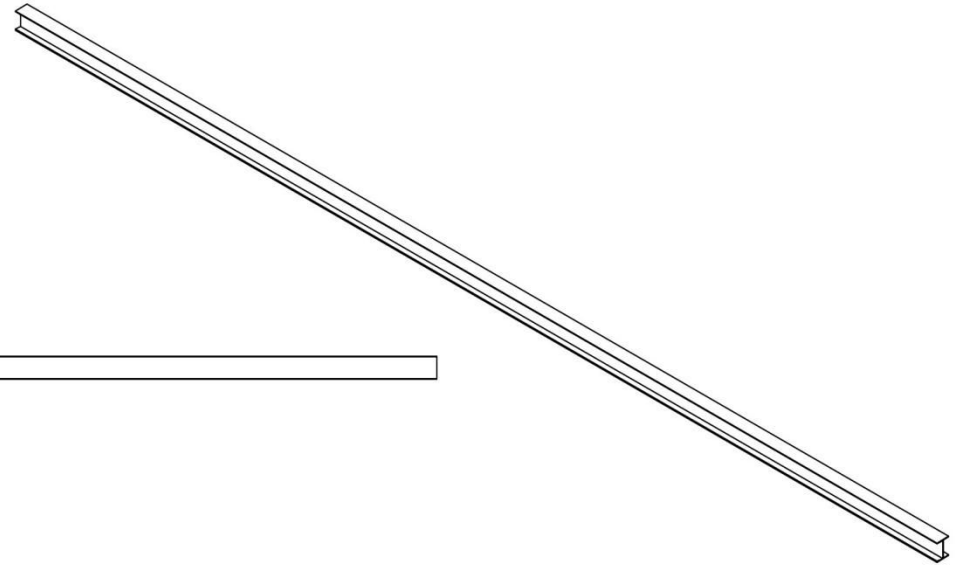
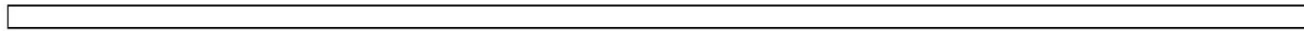
Revision

A/0

Sheet 1 Of 4

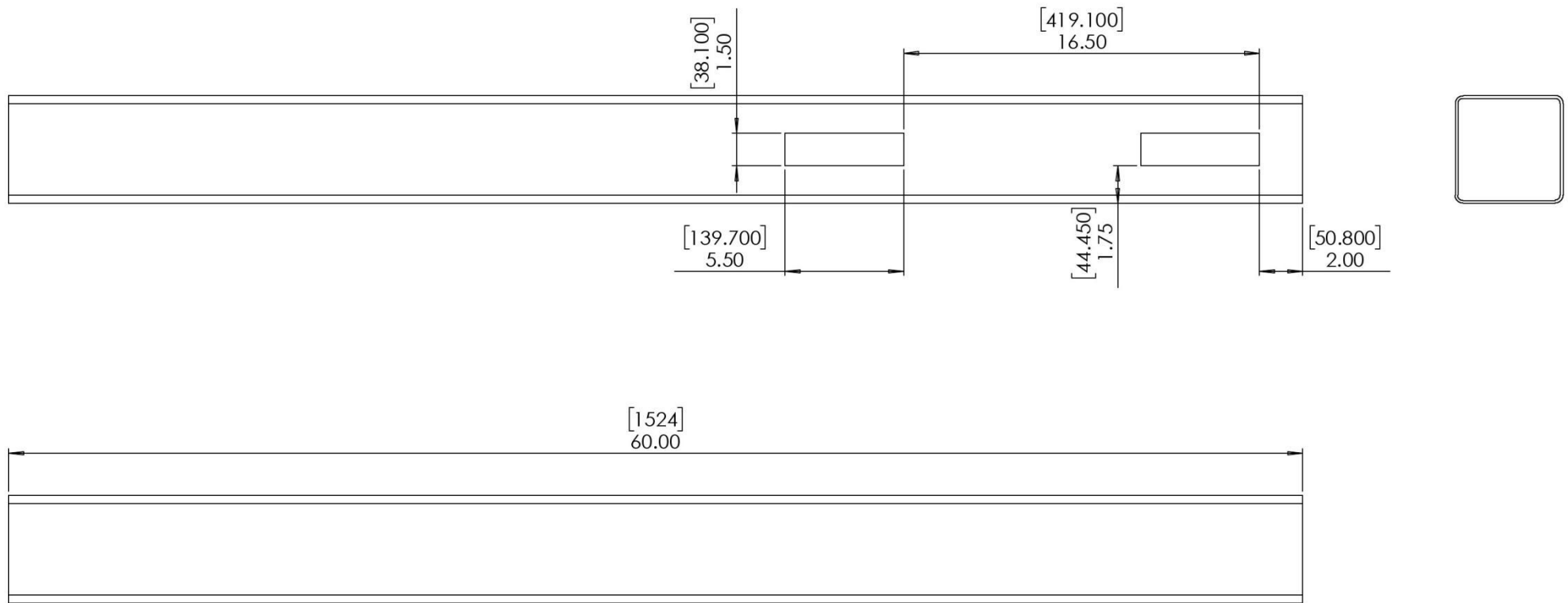
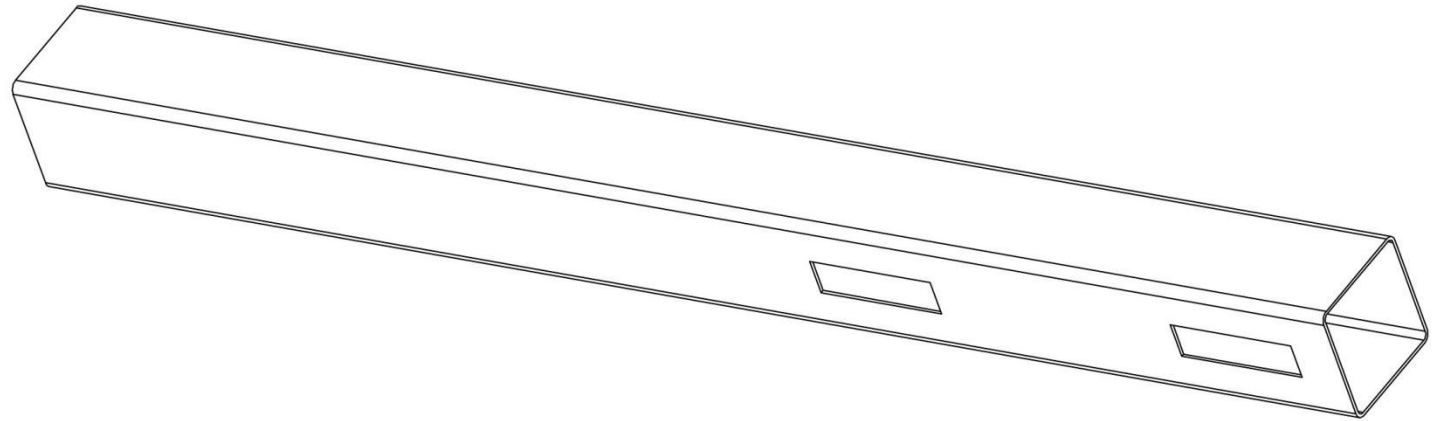


Design by		Product name	The horse bar	
Check by		Drawing NO		
Approve by		Revision	A/0	Sheet 2 Of 4
Complete date				



**Spread  
Eagles**

Design by		Product name	The horse bar	
Check by				
Approve by		Drawing NO		
Complete date		Revision	A/0	Sheet 3 Of 4



<b>Spread Eagles</b>	Design by		Product name	The horse bar	
	Check by		Drawing NO		
	Approve by		Revision	A/0	Sheet 4 Of 4
	Complete date				