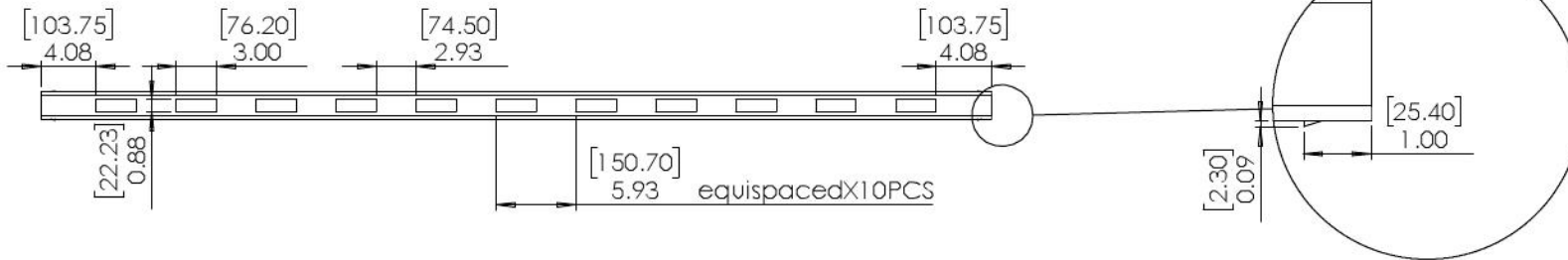
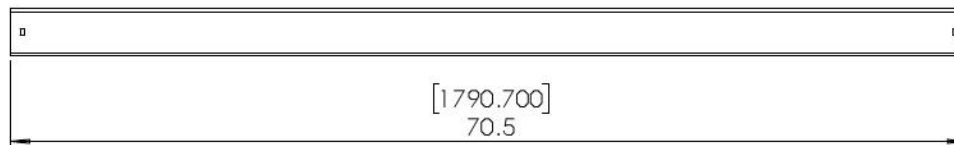
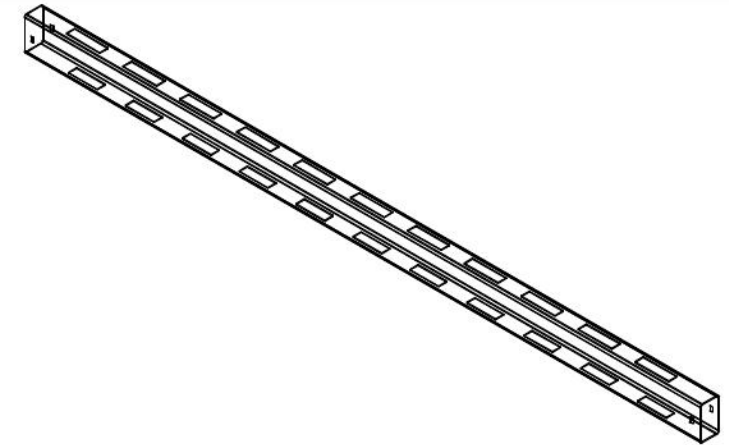
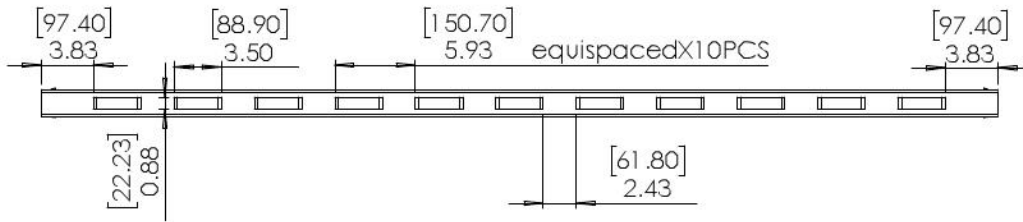


Design by		Product name	SPP307830-4X6-S	
Check by		Drawing NO		
Approve by		Revision	A/0	Sheet 1 Of 6
Complete date				



**Spread  
Eagles**

Design by  
Check by  
Approve by  
Complete date

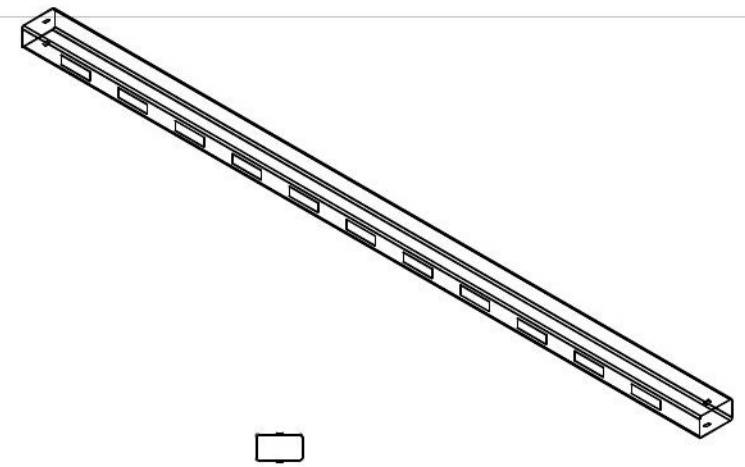
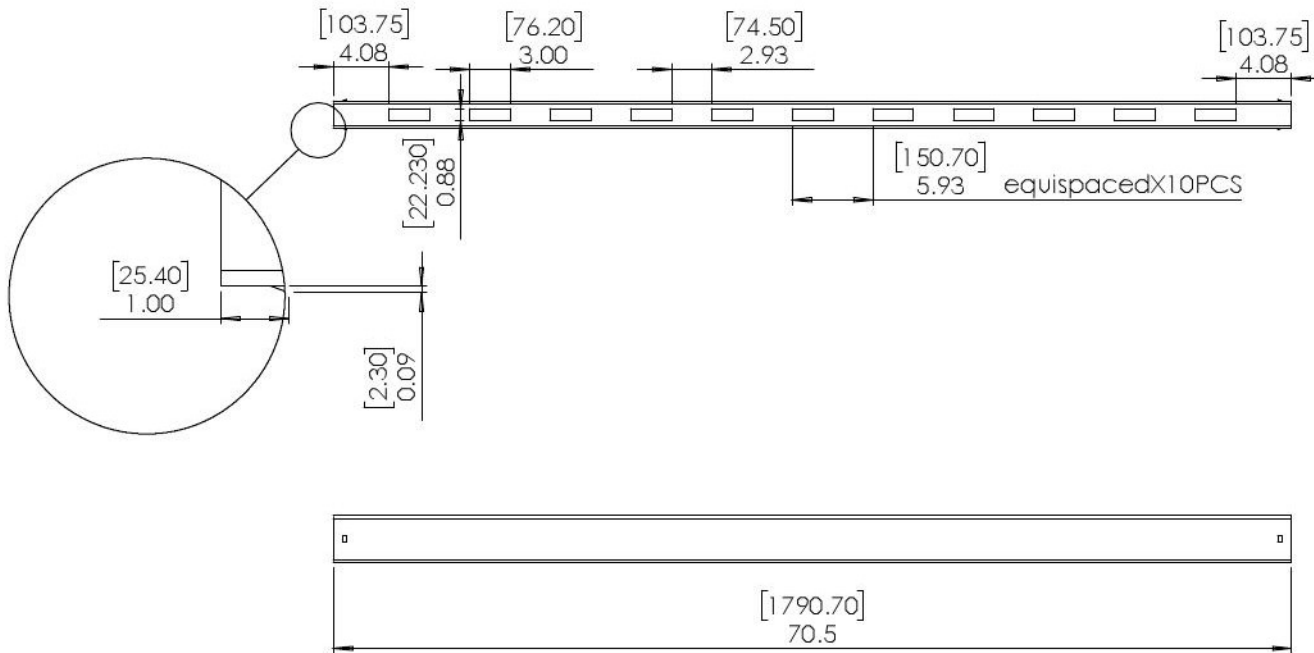
Product name  
Drawing NO  
Revision

SPP307830-4X6-S

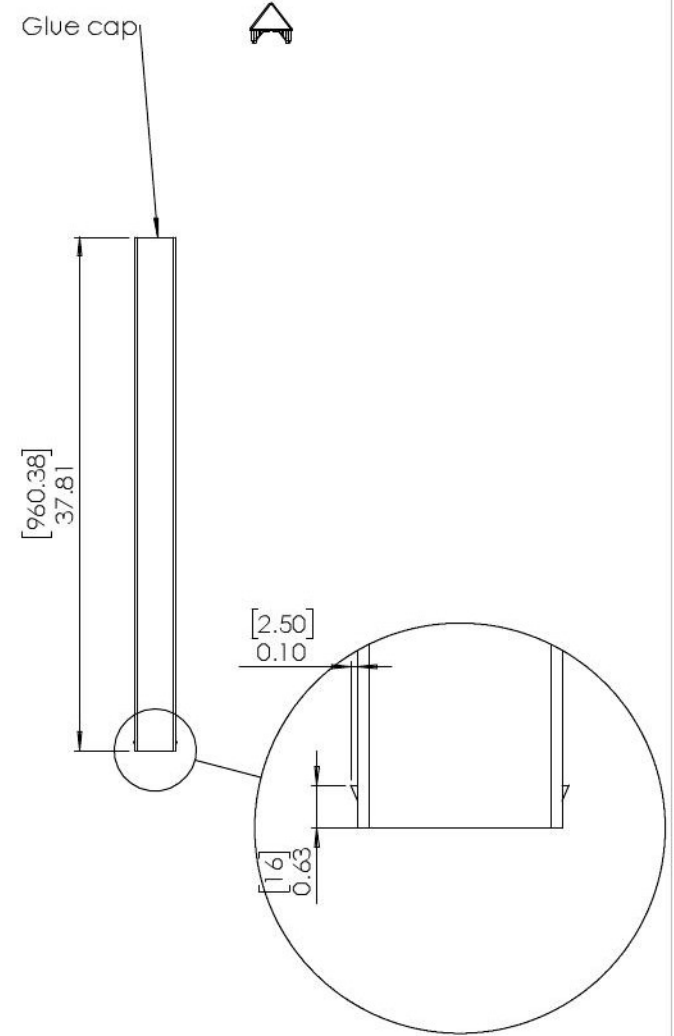
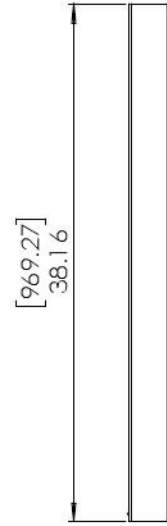
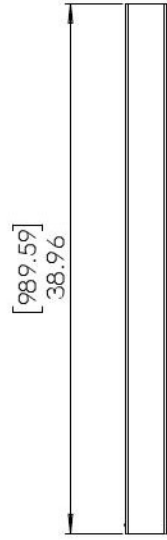
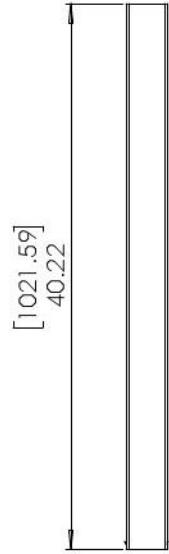
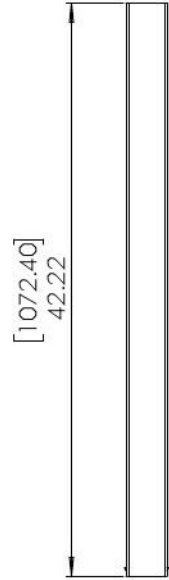
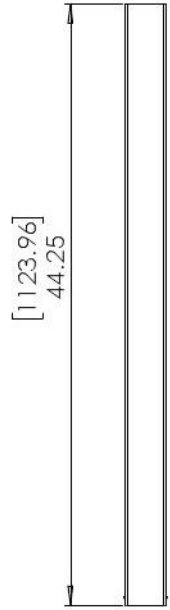
2035Raill

A/O

Sheet 2 Of 6

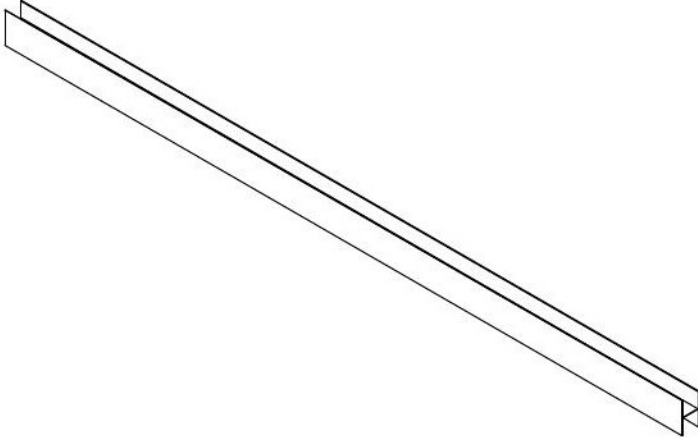


Design by		Product name	SPP307830-4X6-S
Check by		Drawing NO	2035Raill
Approve by		Revision	A/0
Complete date			Sheet 3 Of 6

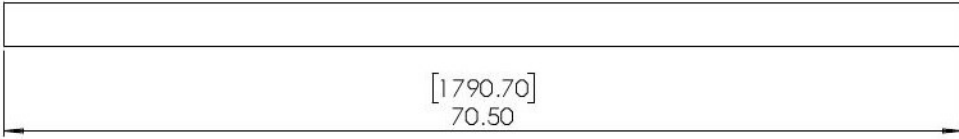


**Spread  
Eagles**

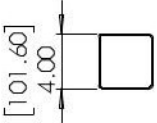
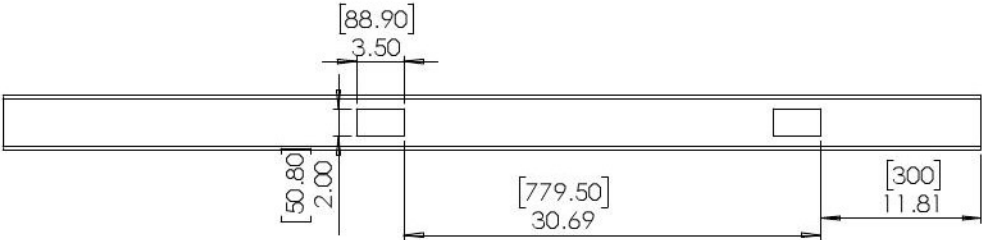
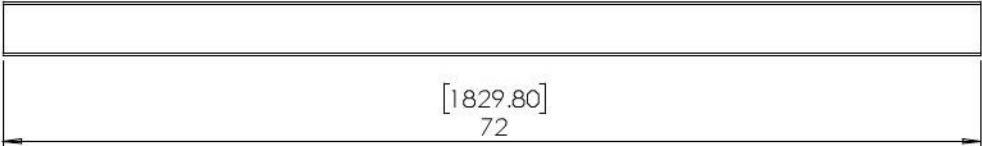
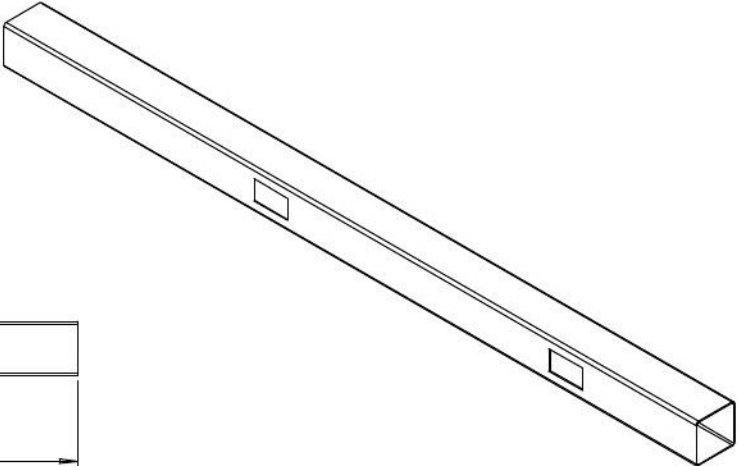
Design by		Product name	SPP307830-4X6-S	
Check by		Drawing NO	3078Picket	
Approve by		Revision	A/0	Sheet 4 Of 6
Complete date				



H



Design by		Product name	SPP307830-4X6-S	
Check by		Drawing NO	2035 H Alu'mi'nu'm	
Approve by		Revision	A/0	Sheet 5 Of 6
Complete date				



<b>Spread Eagles</b>	Design by		Product name	SPP307830-4X6-S	
	Check by		Drawing NO	POST	
	Approve by		Revision	A/0	Sheet 6 Of 6
	Complete date				