

Item	Name	Dimension	Qty
1	2060Rail	94,5"	2
2	6078Pickets	47"	12
3	Aluminum Insert	94,5"	1



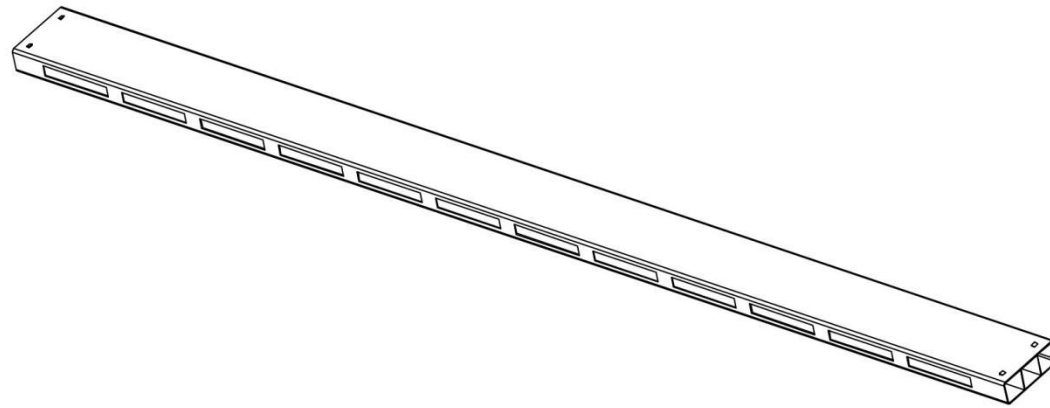
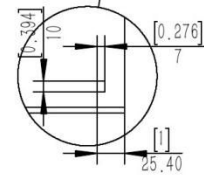
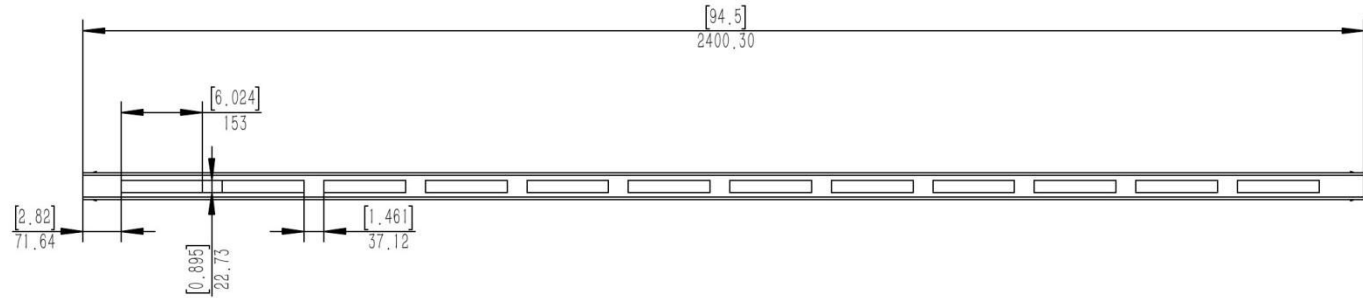
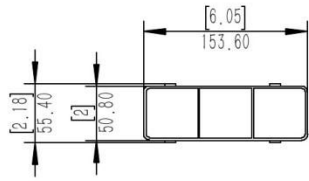
Design by
 Check by
 Approve by
 Complete date

Product name
 Drawing NO
 Revision

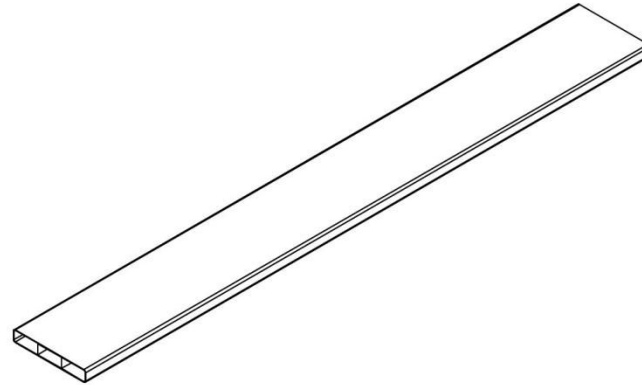
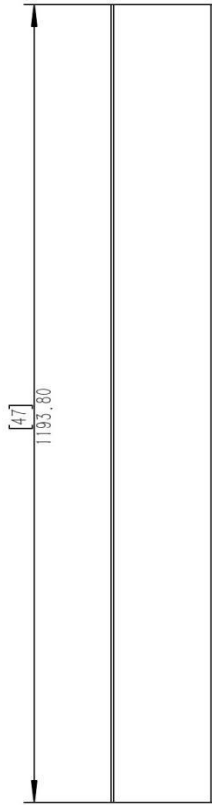
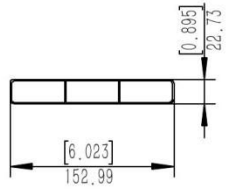
Semi privacy 5'H

A/0

Sheet 1 Of 5



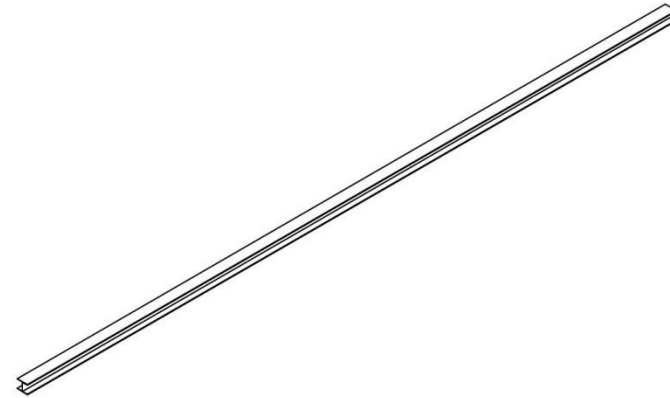
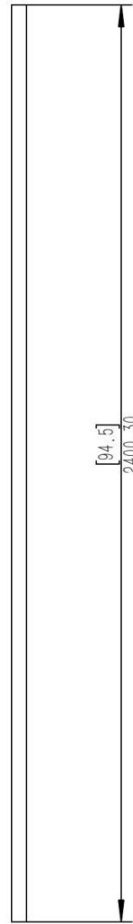
Design by		Product name	2060Rail	
Check by		Drawing NO		
Approve by		Revision	A/0	Sheet 2 Of 5
Complete date				



**Spread
Eagles**

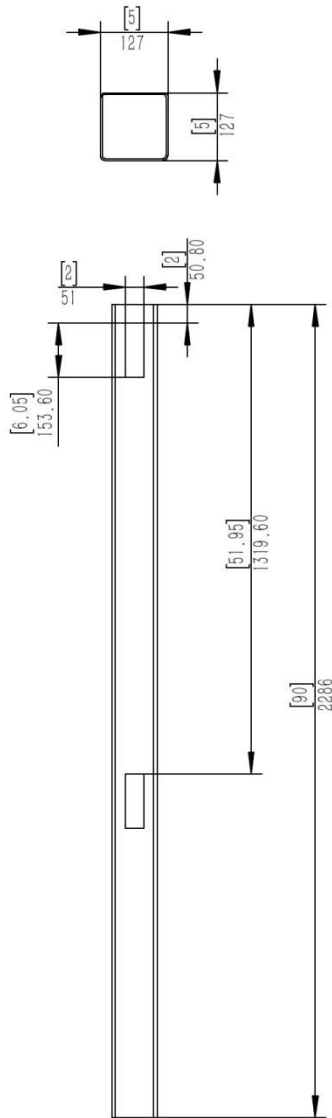
Design by		Product name	6078Picket	
Check by		Drawing NO		
Approve by		Revision	A/0	Sheet 3 Of 5
Complete date				

H



**Spread
Eagles**

Design by		Product name	Aluminum Insert	
Check by		Drawing NO		
Approve by		Revision	A/0	Sheet 4 Of 5
Complete date				



**Spread
Eagles**

Design by		Product name	5050Post	
Check by		Drawing NO		
Approve by		Revision	A/0	Sheet 5 Of 5
Complete date				