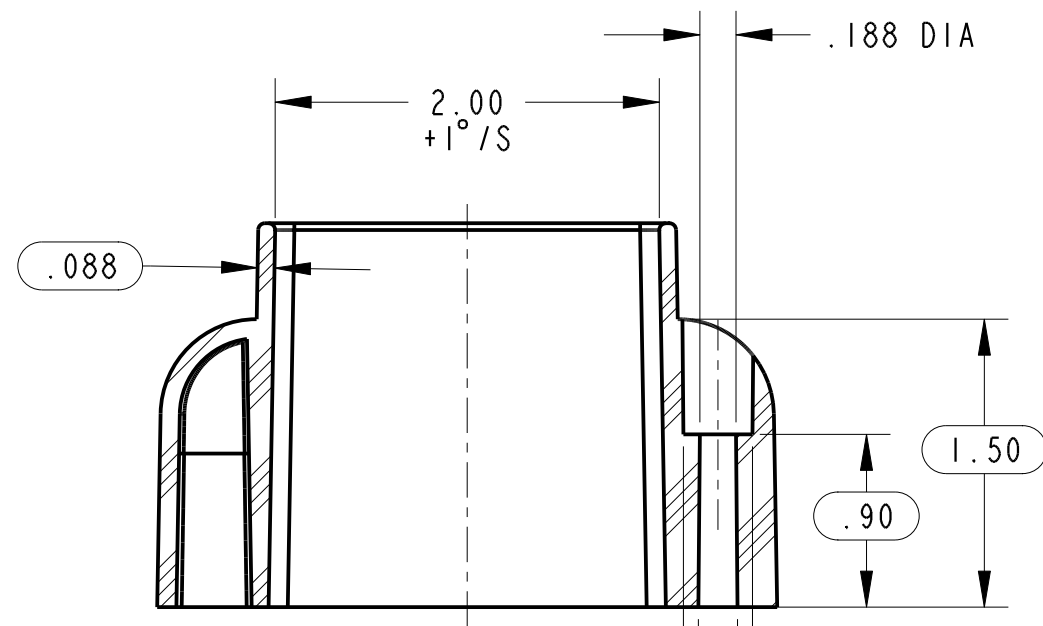


SECTION A-A



SECTION B-B

2 X 3-1/2 BRACKET
 SCALE 1.000
 12 MAY 2009